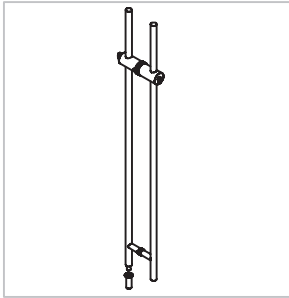
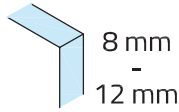


Glass Door Handle with Lockable Floor Bolt



Options:



Material:

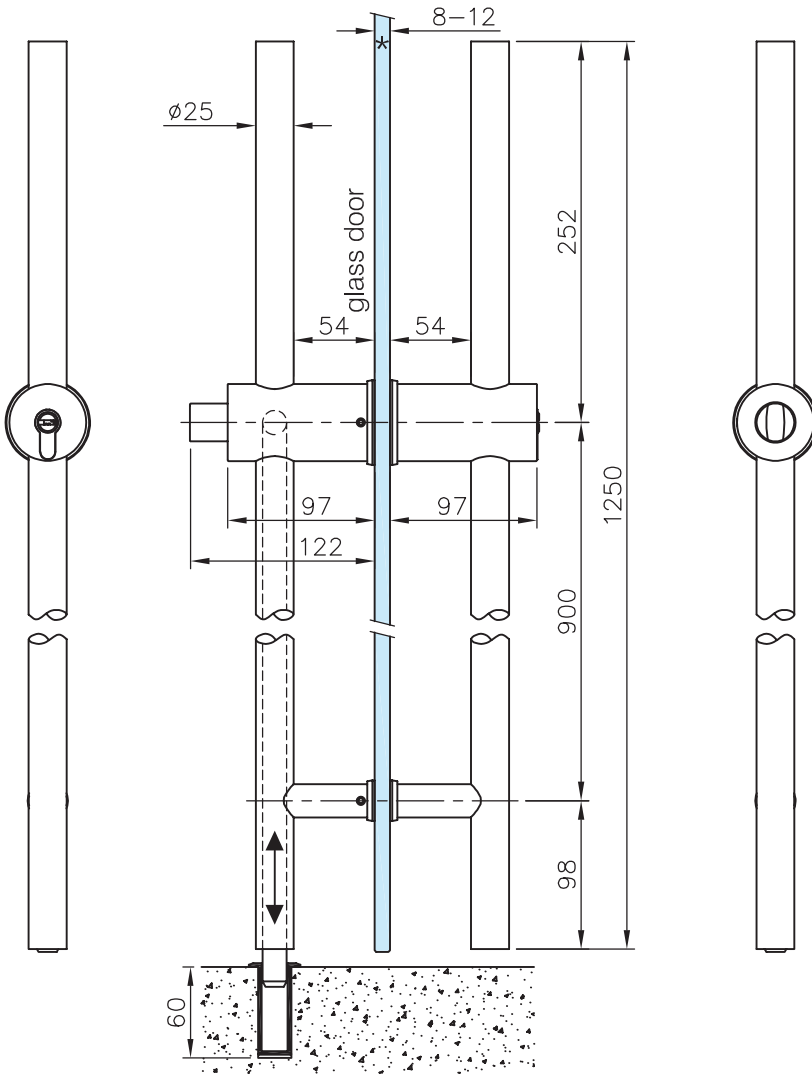
Stainless steel AISI 304

Weight: 3,4 kg

Finish:

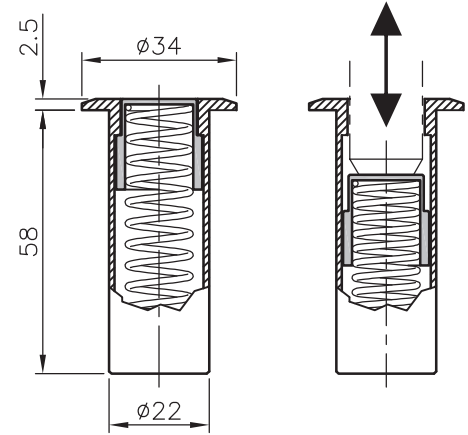
Stainless steel design

Anthracite design

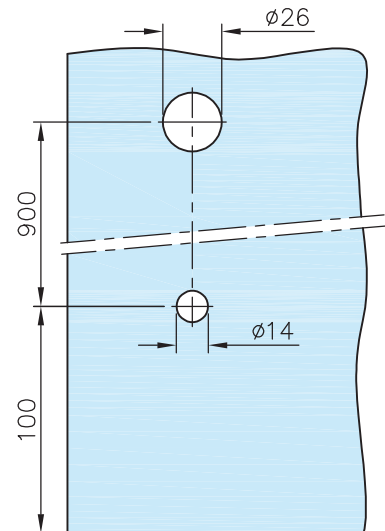


Ground sleeve:

- dirt-proof



Glass preparation:



*drawing shows 10mm glass