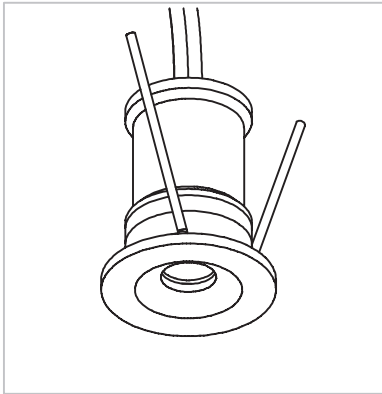


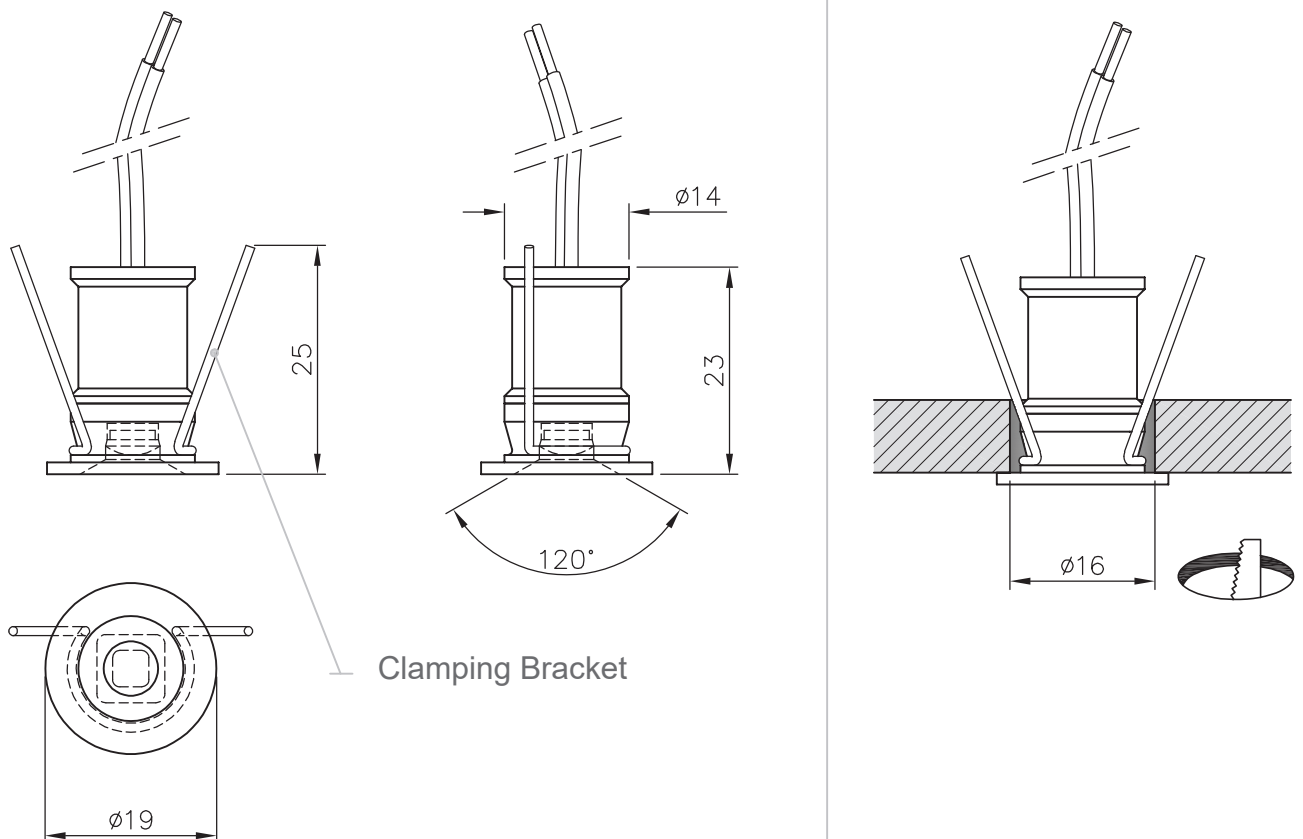
Mini LED Downlights

SKU: 19.2101.006.46



Product Specifications

Ø in mm:	18
Height in mm:	23
Nominal voltage/current:	3V DC
Power in Watt:	1 W/m
Colour temperature:	3000k
Angle:	120°
Lumen:	95 lm/m
Colour rendering:	>80
Ambient temperature:	-25° - +40°
Operating hours acc. to mfr:	35000
Protection class:	IP65
Dimmable:	No



Clamping Bracket



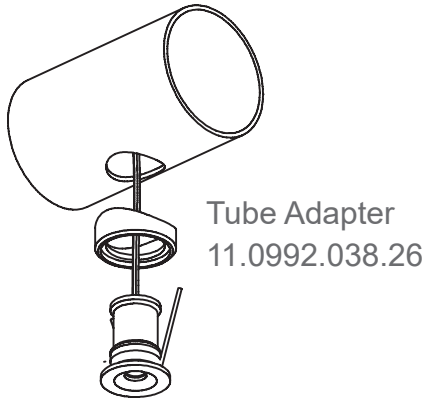
These written and illustrated explanations are not complete installation for electrical systems. Here you will only find the instructions on how to install the LED Downlight. In case of improper and execution, no warranty will be assumed for personal injury or damage to property. Therefore, the installation should be carried out or at least checked by qualified personnel.

Mini LED Downlights

SKU: 19.2101.006.46

Installation options:

38.1mm Ø Tube



Square Tube

