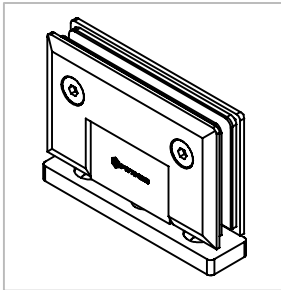


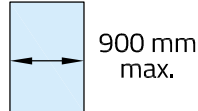
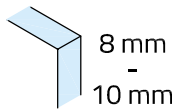
Pivot Glass Door Hinge

Stainless Steel - **41.6512.000.12**

Antracite (Black) - **41.6512.000.26**



Options:

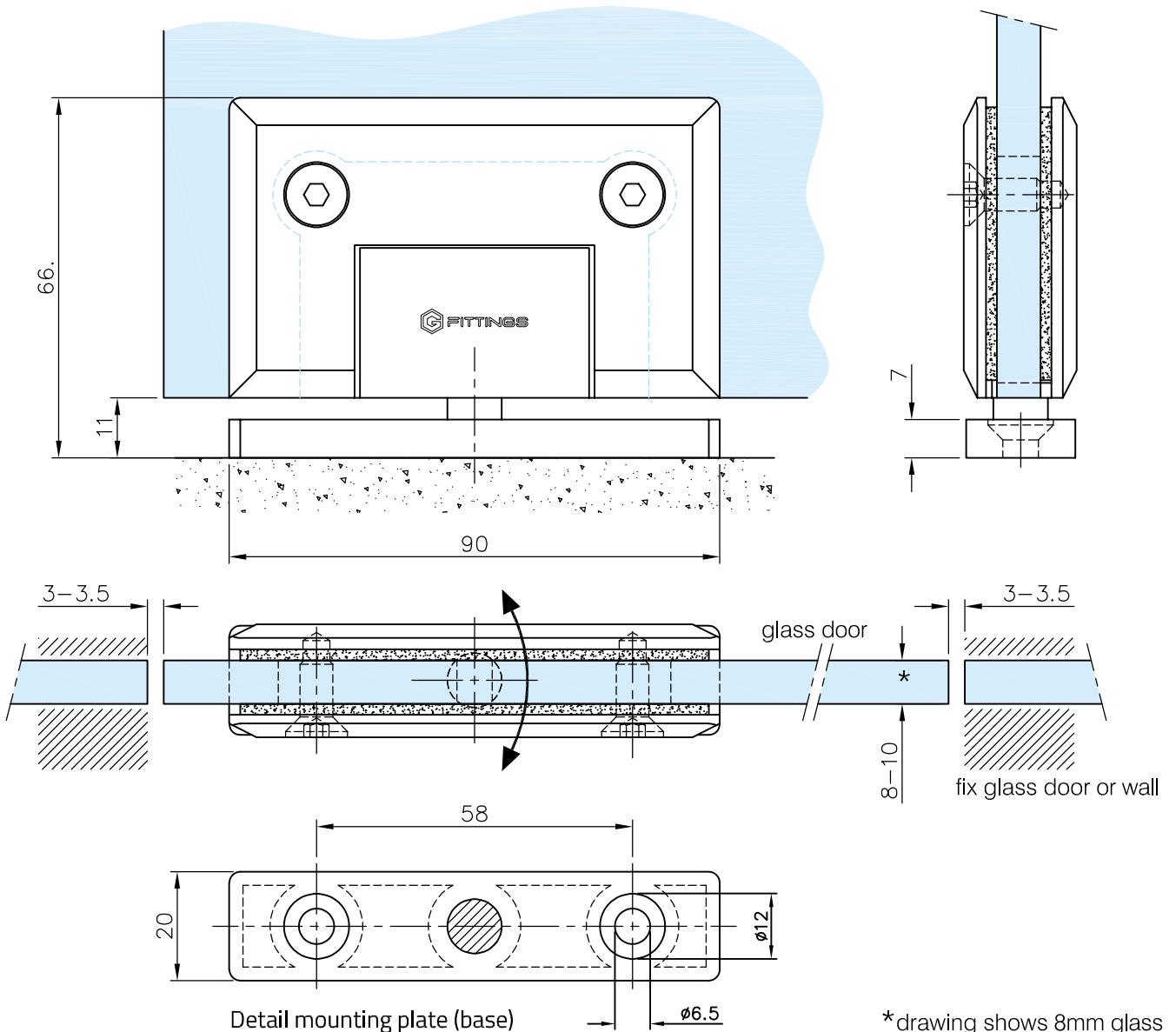


Material: Stainless steel AISI 304

Weight: 0,550 kg

Finish: Stainless steel design

Antracite design



*drawing shows 8mm glass without PVC seals

Pivot Glass Door Hinge

Stainless Steel - **41.6512.000.12**
Anthracite (Black) - **41.6512.000.26**

Glass preparation:

