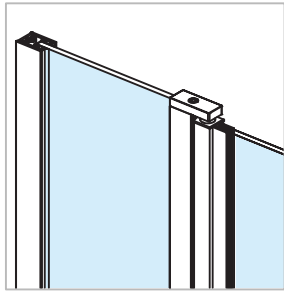
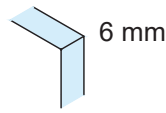


Glass Shower Door to Glass Wall Profile

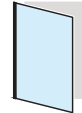
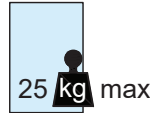
6mm glass shower door fitting with rise and fall mechanism



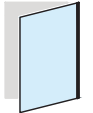
Options:



900 mm
max



DIN left
+
DIN right

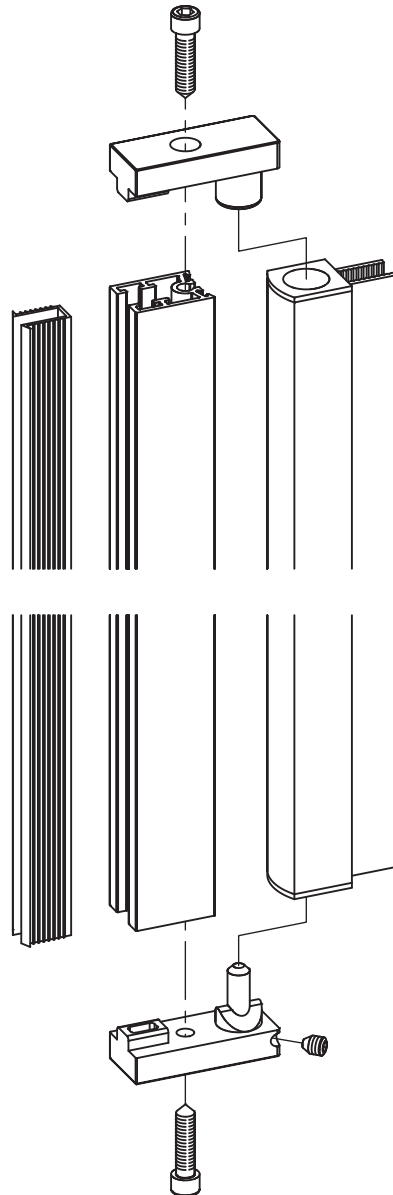
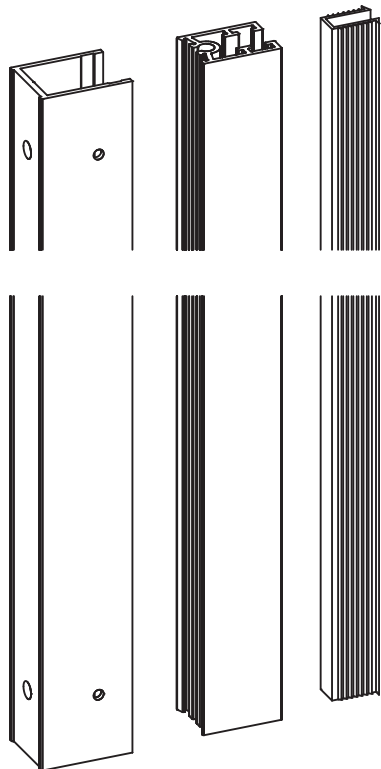
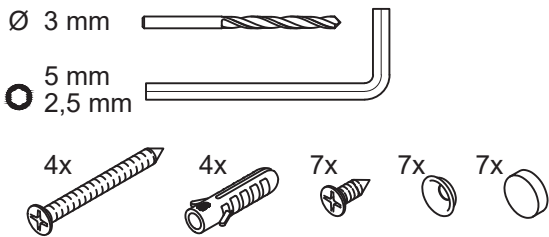


Material: Aluminium

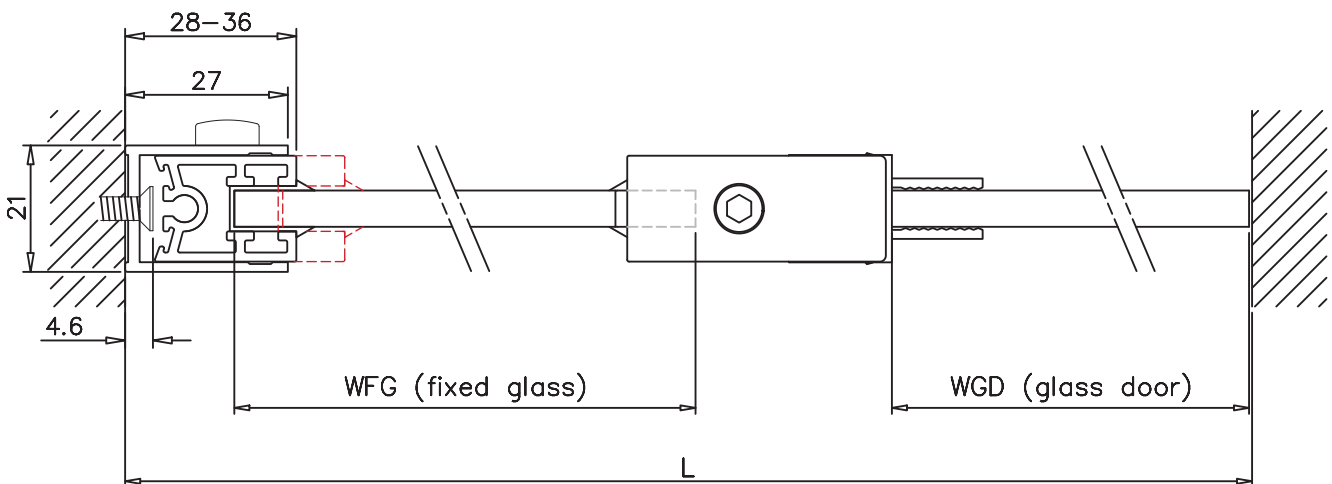
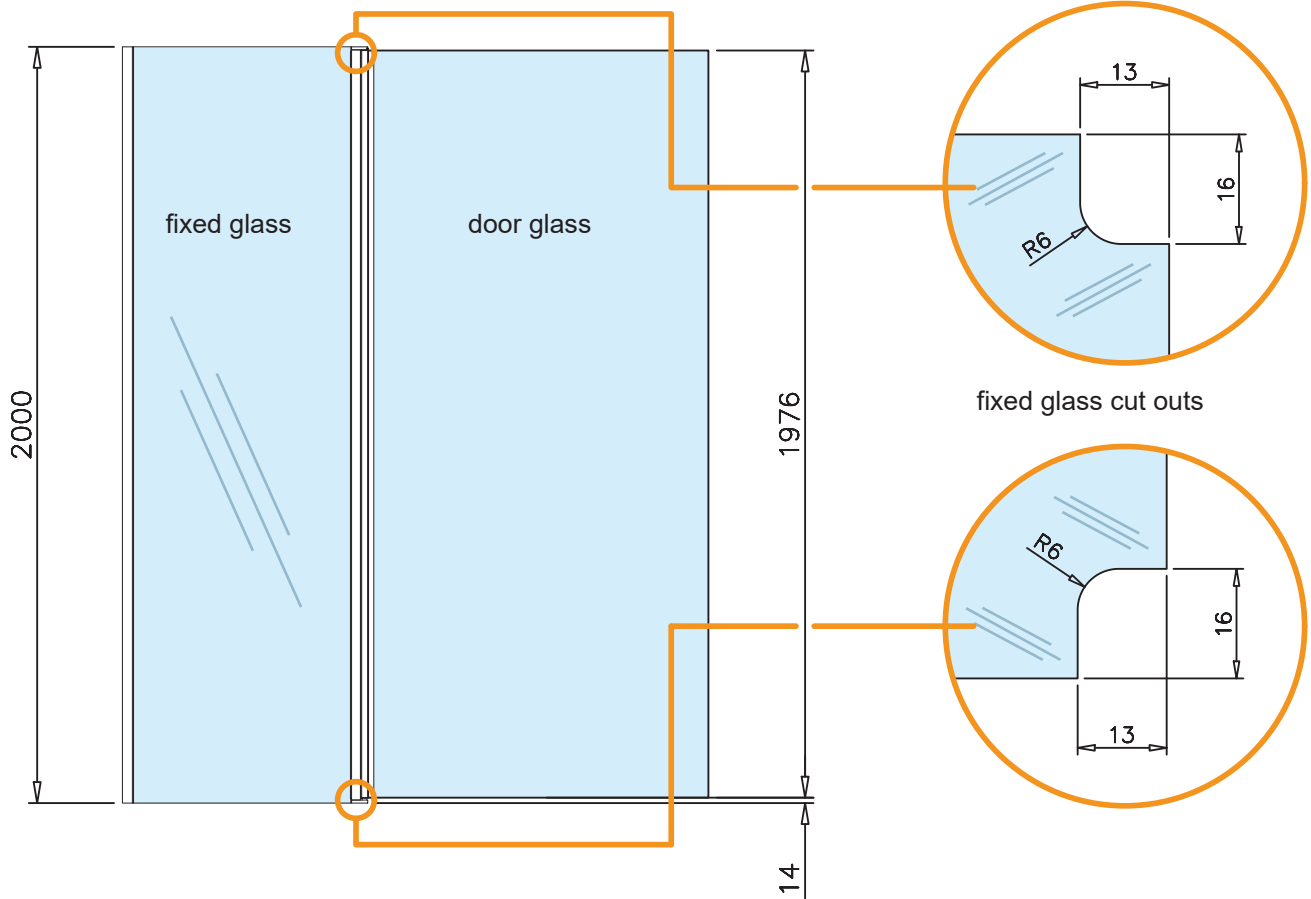
Weight: 3.5 kg

Finish: Silver Matt Anodised Chrome Design Anthracite Black Matt Brass Effect

Scope of supply:



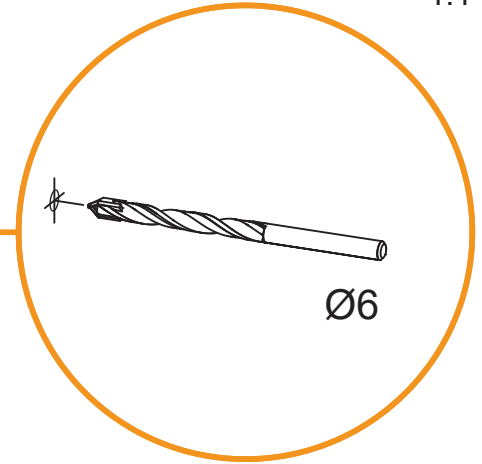
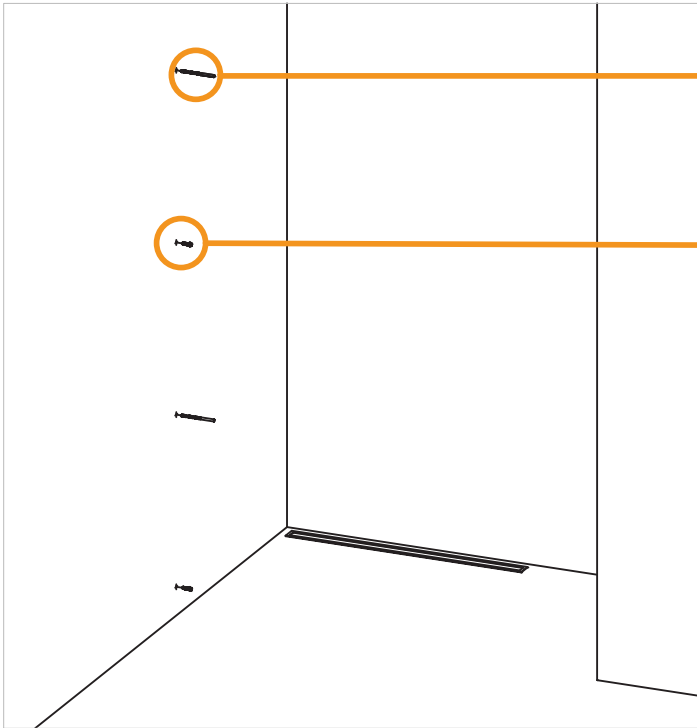
Glass Shower Door to Glass Wall Profile



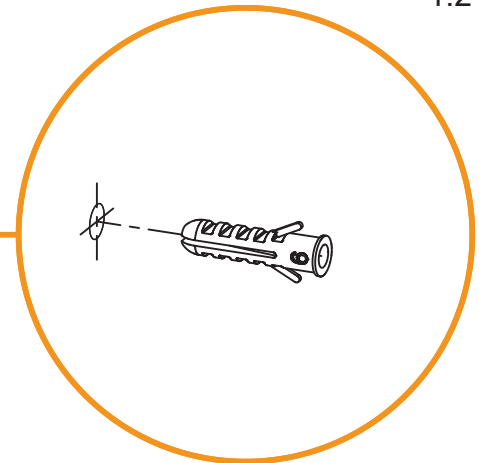
Glass Shower Door to Glass Wall Profile

1. Mounting the wall profile

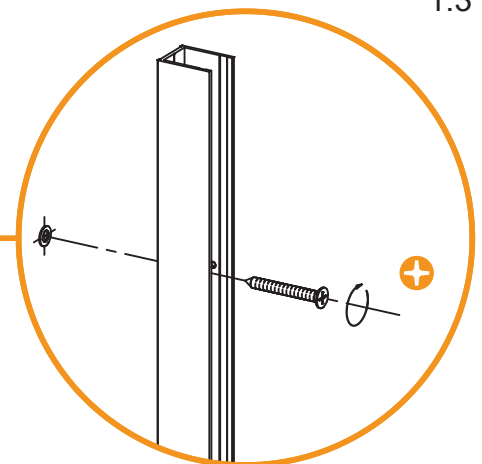
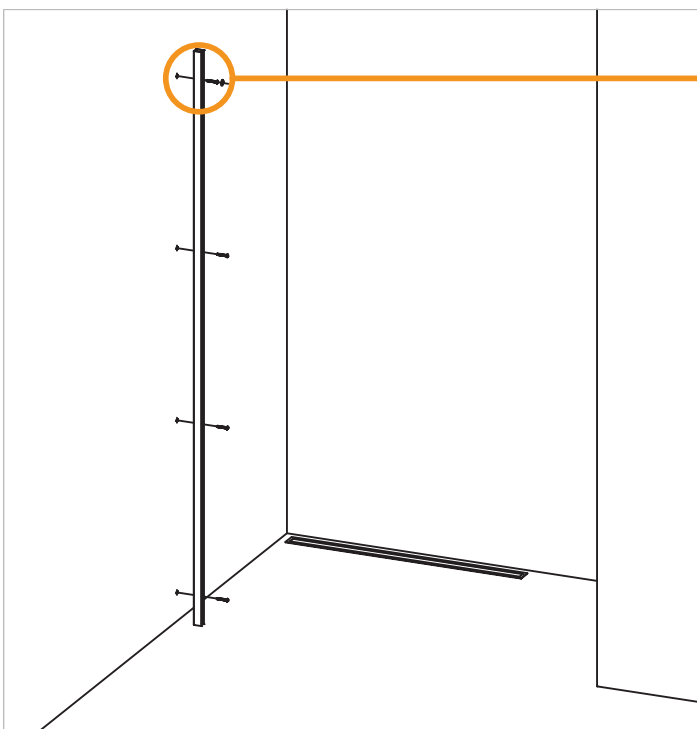
1.1



1.2

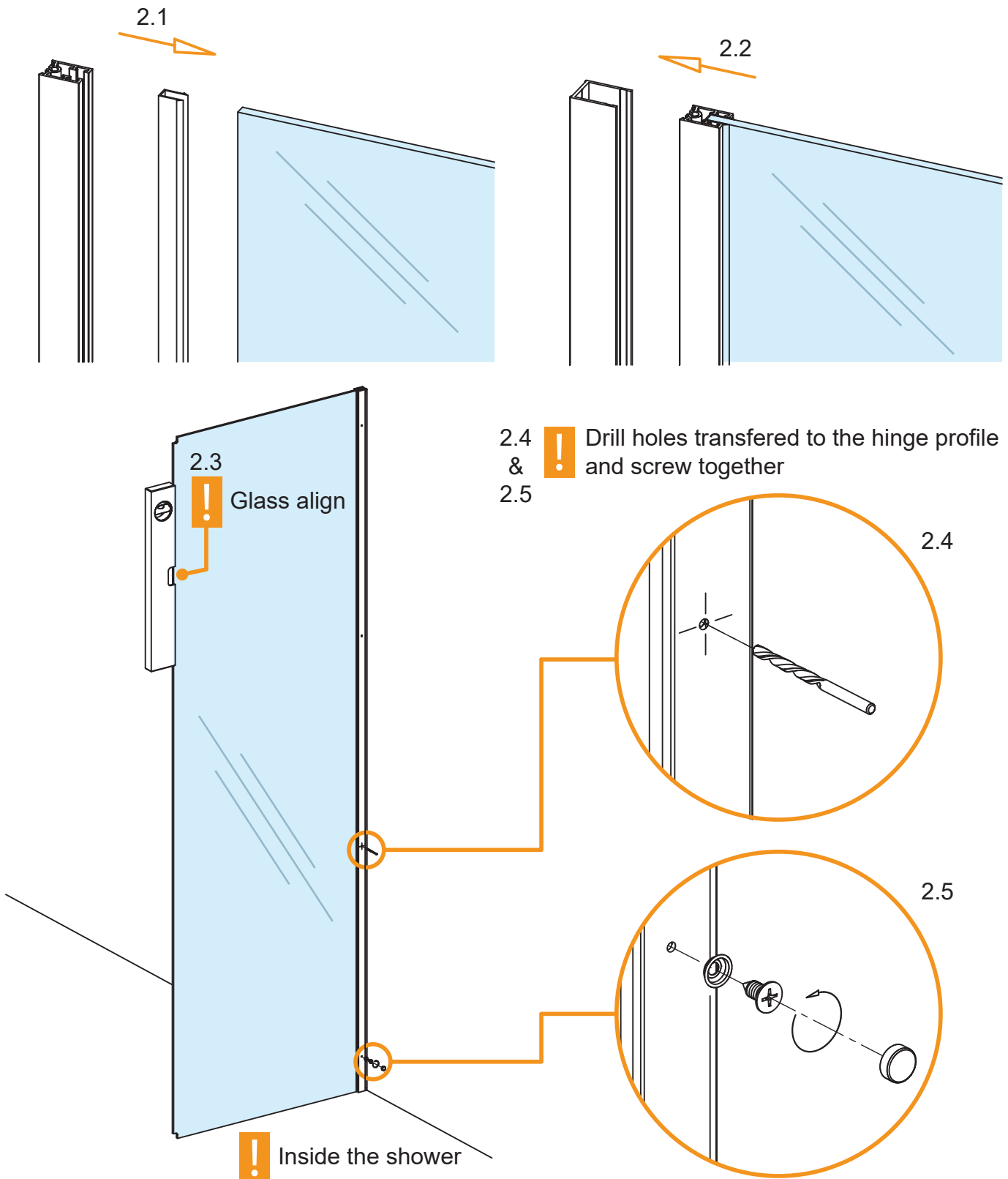


1.3



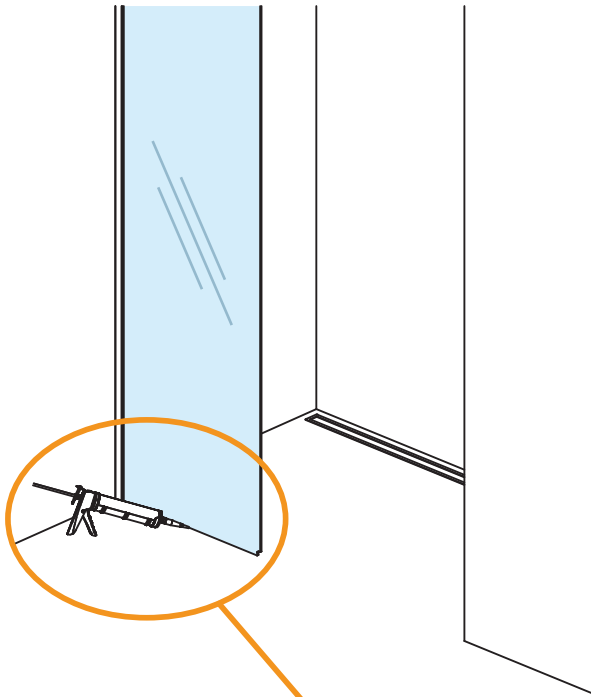
Glass Shower Door to Glass Wall Profile

2. Mounting of the fixed glass:

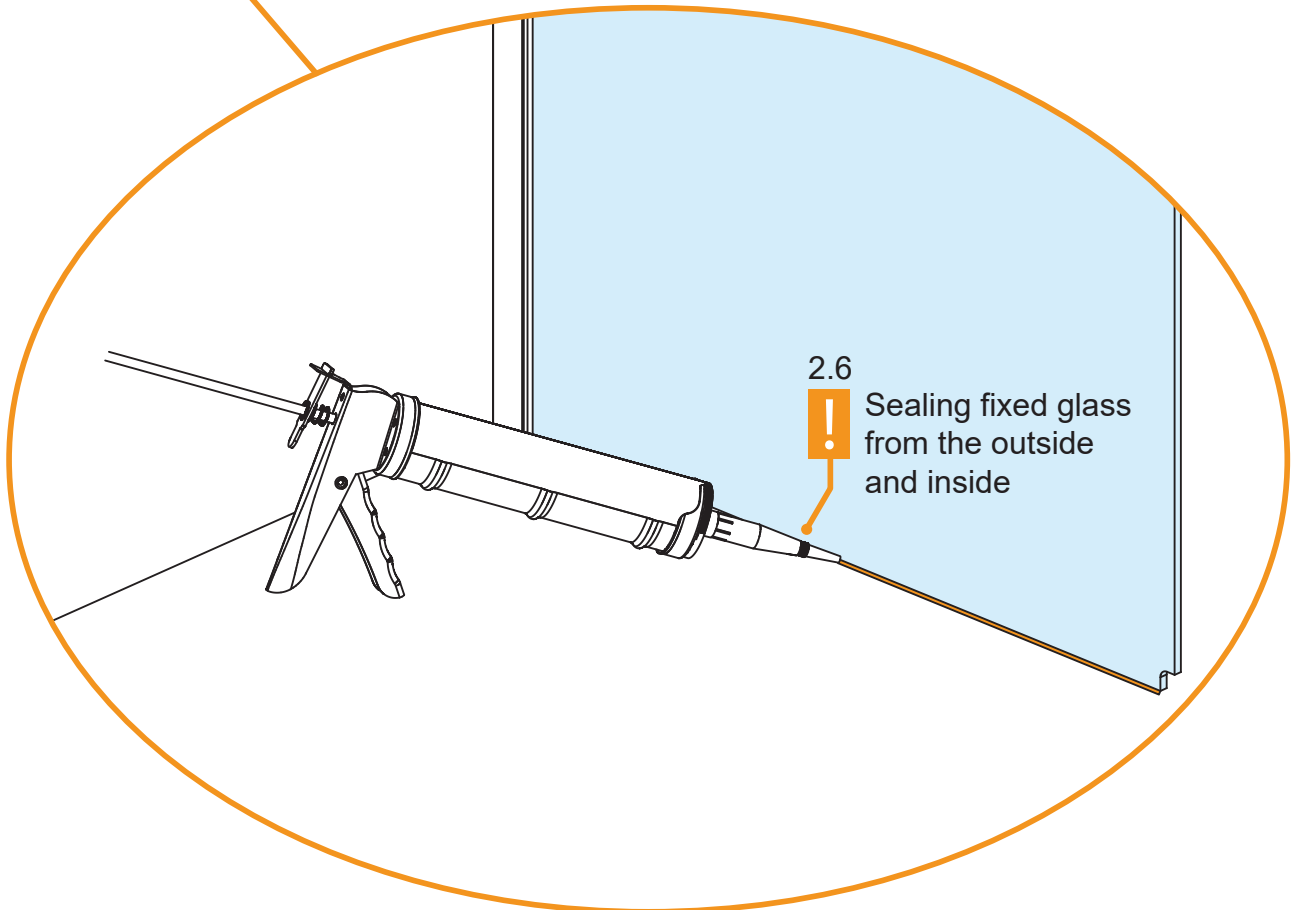
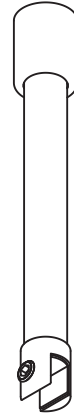


Glass Shower Door to Glass Wall Profile

2 Mounting of the fixed glass:



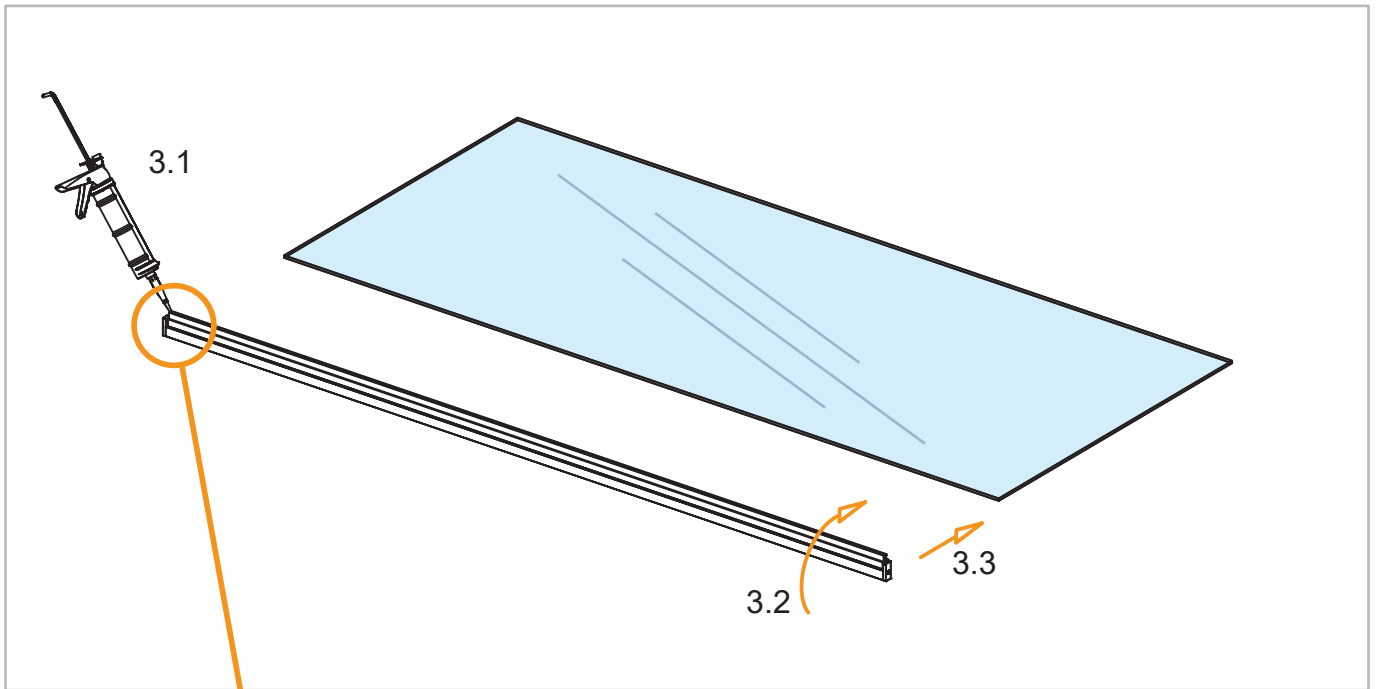
Optional: To improve stability, we recommend our reinforcement support bars, available separately.



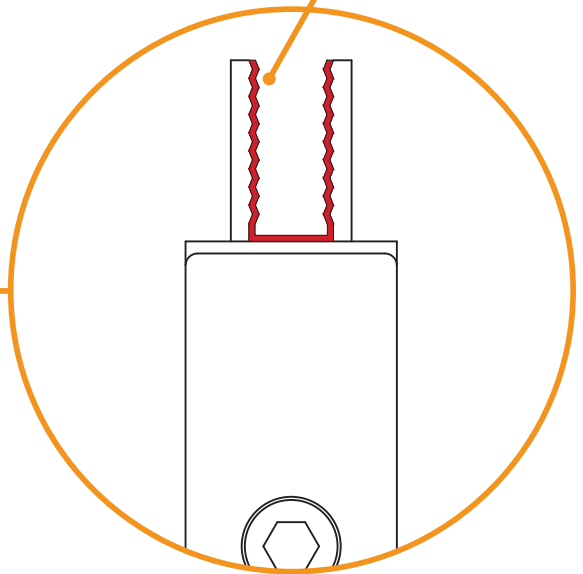
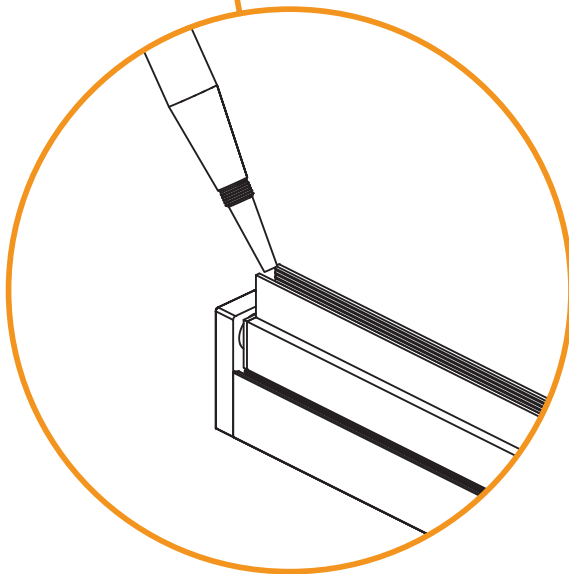
2.6
! Sealing fixed glass from the outside and inside

Glass Shower Door to Glass Wall Profile

3 Mounting the door profile to the door glass:



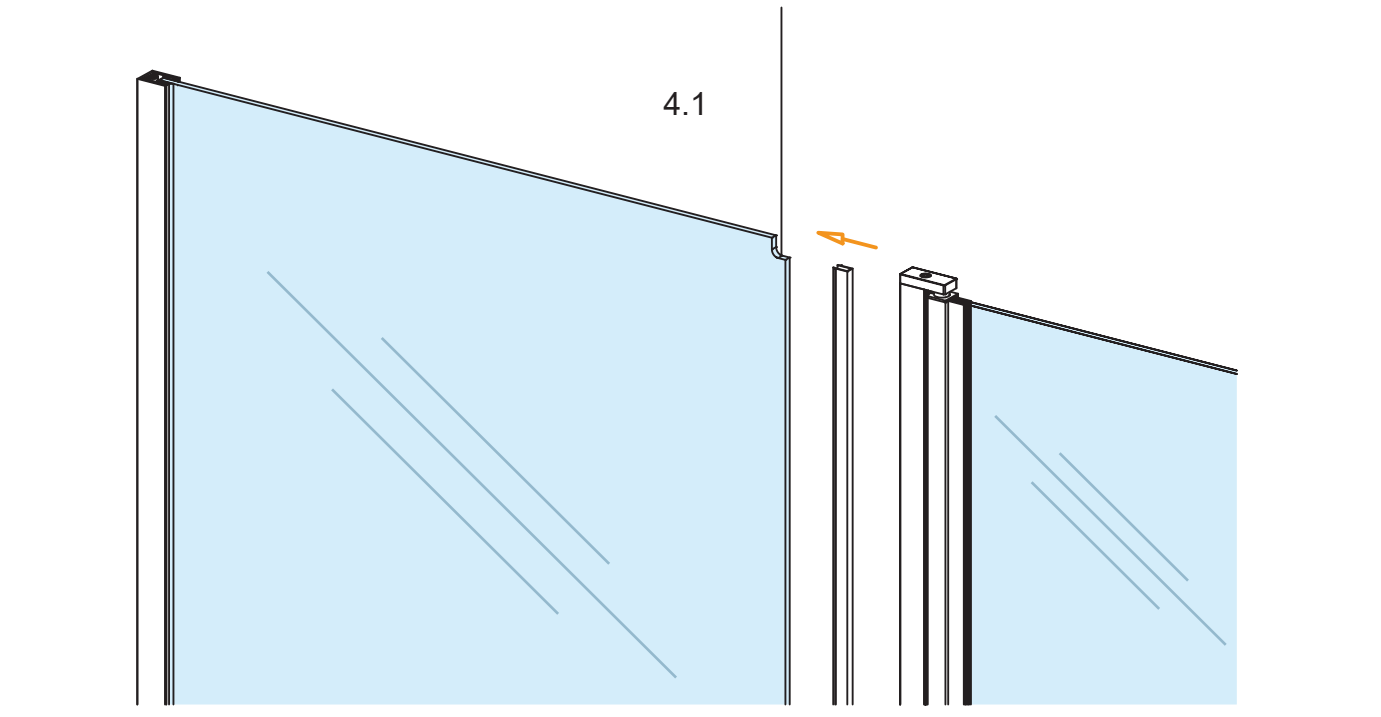
MS Polymer based adhesive



Important: Before mounting, clean the glass in the area of the bonding surface.

Glass Shower Door to Glass Wall Profile

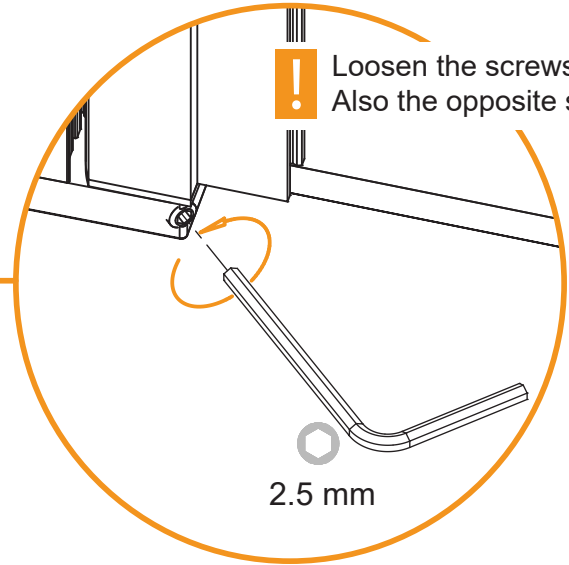
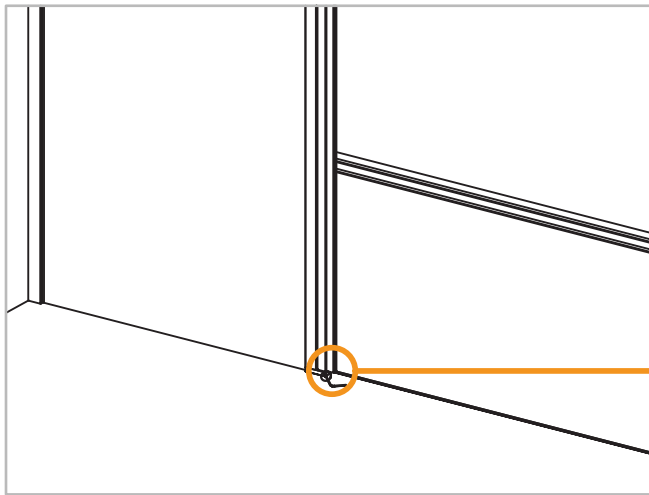
4 Mounting the glass door:



Glass Shower Door to Glass Wall Profile

5 Setting the 0° position of the door

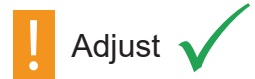
Top View



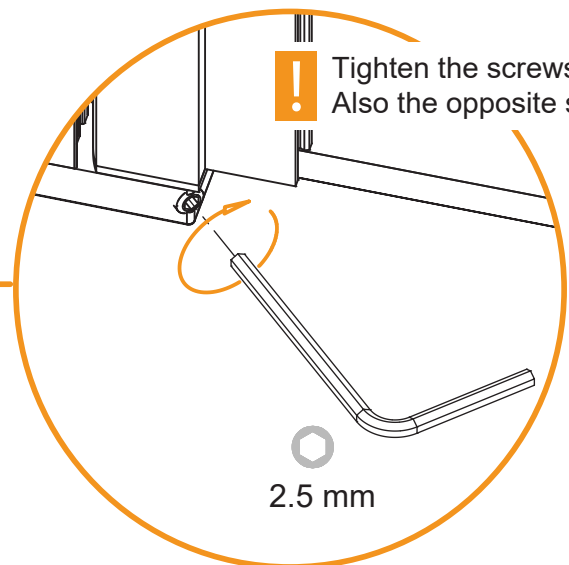
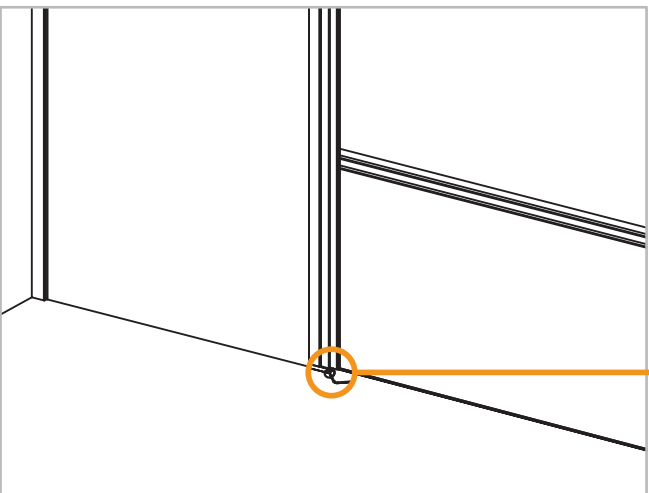
! Loosen the screws.
Also the opposite side

2.5 mm

Top View



! Adjust



! Tighten the screws.
Also the opposite side

2.5 mm